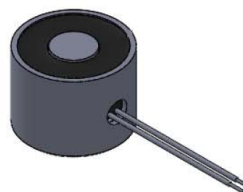


# ITS-MS-2015

## Description

An electromagnet is a core of magnetic material (such as iron) surrounded by a coil of wire through which an electric current is passed to magnetize the core.



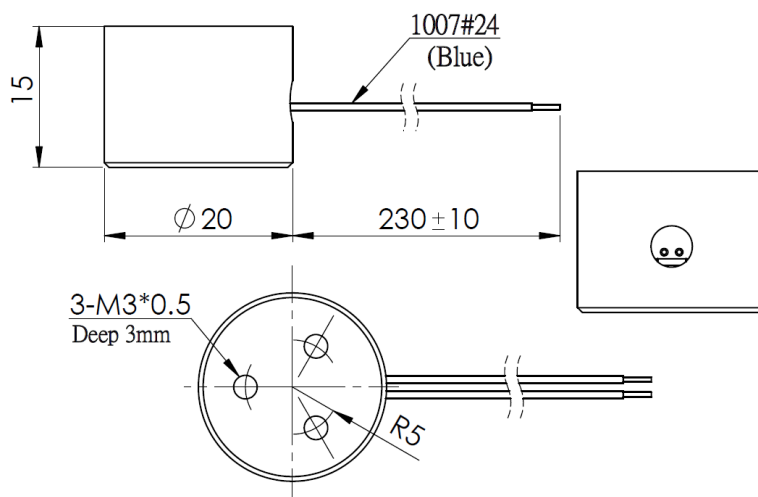
**Weight:** 25 g

**Haltekraft:** 20 N

**Anzugsplattendicke:** 2 mm

## Coil Data

<b>Duty (%)</b>	100	-	-	-
<b>Power Drain (Watt)</b>	2	-	-	-
<b>Max. Duty (Seconds)</b>	∞	-	-	-



## Solenoid Layout

**Voltage:**

12 VDC (standard)

24 VDC (standard)

other voltages on request

## Special development

Sie wollen diesen Standardmagneten abändern (z. B. Abmessungen, Kräfte, usw ...) dann senden Sie uns einfach dieses Formular: [Checkliste \(PDF, 390 kB\)](#)