

# ITS-MS-5537

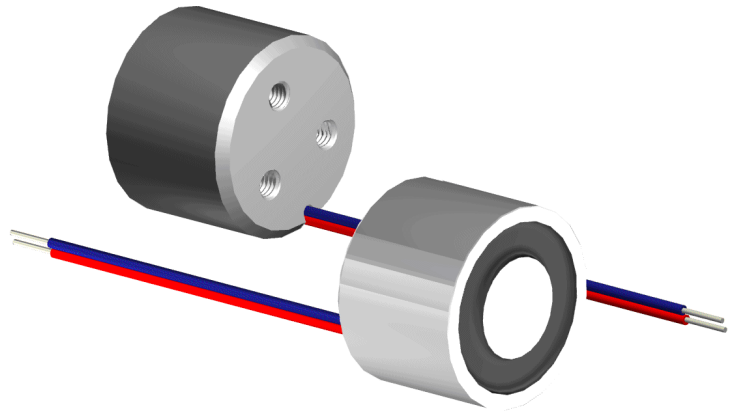
## Description

An electromagnet is a core of magnetic material (such as iron) surrounded by a coil of wire through which an electric current is passed to magnetize the core.

**Weight:** 550 g

**Haltekraft:** 700 N

**Anzugsplattendicke:** 7 mm



## Coil Data

<b>Duty (%)</b>	100	-	-	-
<b>Power Drain (Watt)</b>	10	-	-	-
<b>Max. Duty (Seconds)</b>	∞	-	-	-

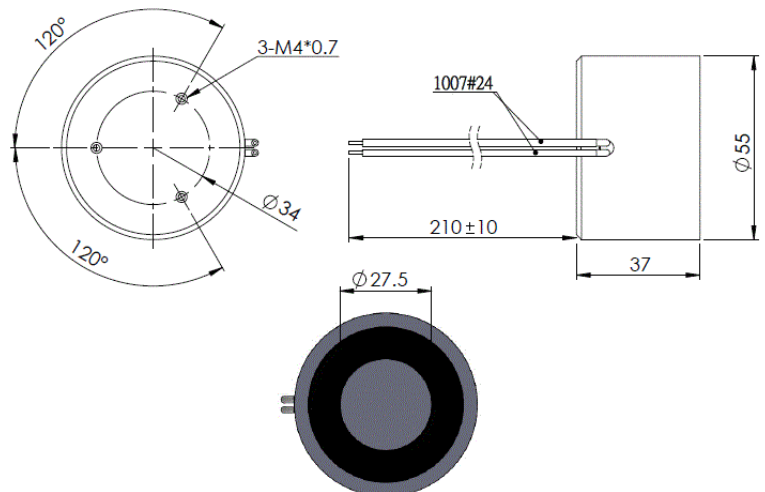
## Solenoid Layout

### Voltage:

12 VDC (standard)

24 VDC (standard)

other voltages on request



## Special development

Sie wollen diesen Standardmagneten abändern (z. B. Abmessungen, Kräfte, usw ...) dann senden Sie uns einfach dieses Formular: [Checkliste \(PDF, 390 kB\)](#)