

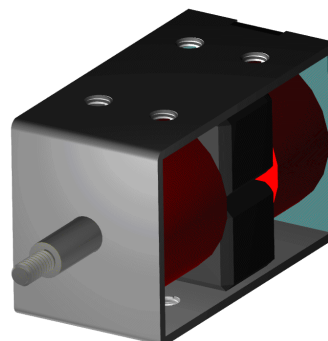
ITS-LX 3831

Description

Bistable frame solenoid with a linear direction of motion in which the plunger is locked into each end position. With the two positions in which it can stay powerless, it is ideal for locking systems without permanent power supply.

Stroke: 20 mm

Haltekraft: 10 N



Coil Data

Duty (%)	10	-	-	-
Power Drain (Watt)	150	-	-	-
Max. Duty (Seconds)	30	-	-	-

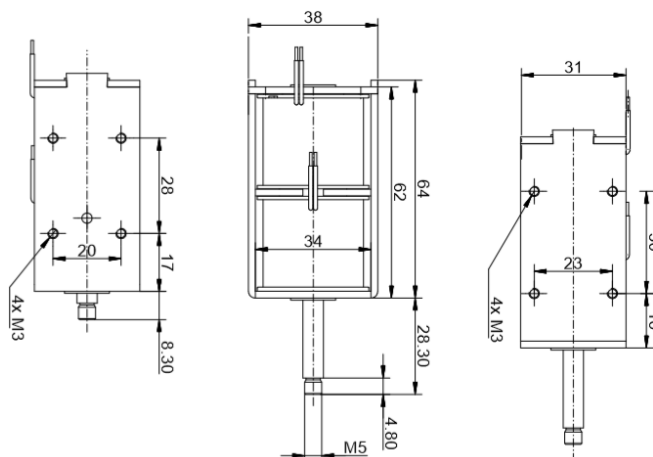
Solenoid Layout

Voltage:

12 VDC (standard)

24 VDC (standard)

other voltages on request



Special development

Sie wollen diesen Standardmagneten abändern (z. B. Abmessungen, Kräfte, usw ...) dann senden Sie uns einfach dieses Formular: [Checkliste \(PDF, 390 kB\)](#)